

ProMix-S Polymer Blending System

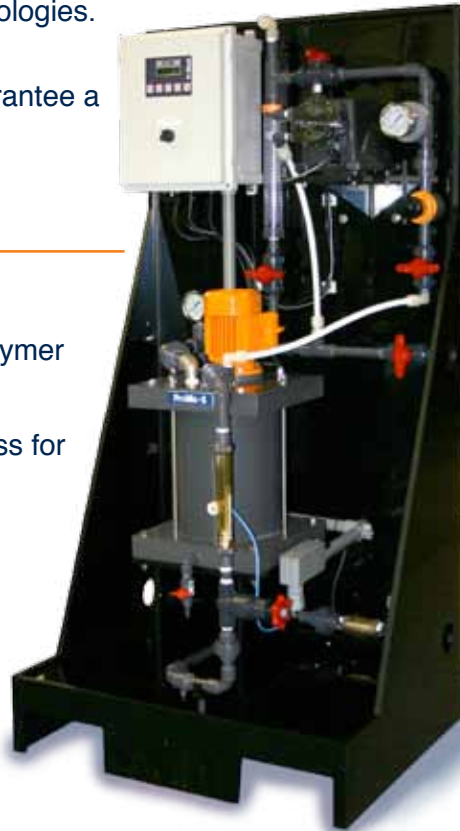
ProMinent®

New ProMinent Polymer Design!

The **ProMix** is a pre-engineered polymer mixing system made for the water and wastewater markets. Designed as an in-line unit, the **ProMix** can be customized to meet most liquid polymer applications utilizing tubing pump technologies. The unique mixing chamber allows for complete makedown of the neat or diluted polymer to guarantee a problem-free injection.

Features and benefits

- Open design for easy maintenance
- True multi-zone mixing regime for proper polymer activation
- Unique injection check valve with easy access for cleaning
- System protection against loss of water flow
- Precise activated polymer solution delivery
- Customize controls to meet your application
- LCD display with touchpad control
- 4-20mA input to pace pump
- Remote start/stop
- General alarm contacts



Applications

- Emulsion or Dispersion polymer activation
- Water and Wastewater treatment
- Coagulant or Solution polymer feed
- Clarification
- Sludge Dewatering

Specifications

- Water Inlet: 3/4" FNPT
- Polymer Inlet: 1/2" NPT (female)
- Product Outlet: 3/4" FNPT
- Max. Chamber Pressure: 150 PSIG
- Max. Operating Pressure: 100 PSIG
- Power Supply: 120 VAC, 1 Phase, 60Hz
- Current Load: 20 Amp
- Drain Connection: 1/4"

ProMinent®

Visit our XTRANET <www.prominentxtranet.com> to:

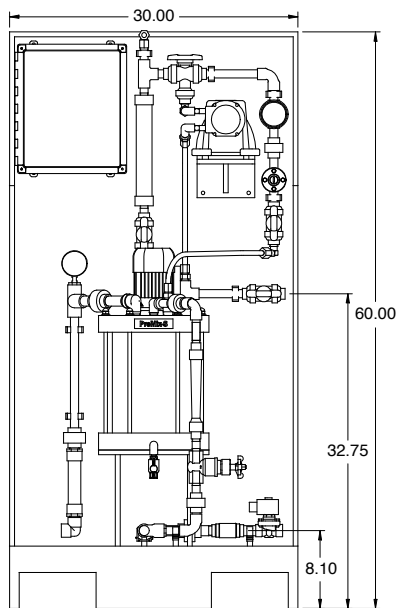
- sign up for our electronic newsletter
- download literature and manuals
- validate your product warranty

ProMix-S Polymer Blending System

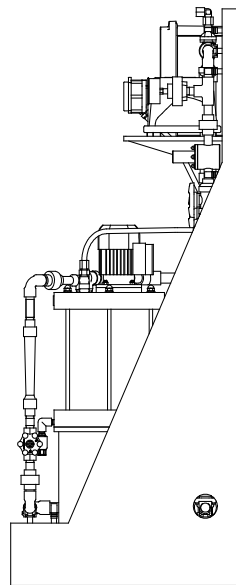
Capacity data

ProMix-S Series P/N	Model Number	Primary Dilution (gph)	Primary Rotameter (gpm)	Secondary Dilution (gph)	Secondary Rotameter (gpm)	Peristaltic Pump (gph)
7746602	60-0.21TA	60	1	-	-	0.21
7746603	60x2-0.71TA	60	1	60	1	0.71
7746604	180x2-0.71TA	180	3	120	2	0.71
7746605	180x2-1.67TA	180	3	120	2	1.67
7746606	300x2-2.50TA	300	5	300	5	2.50
7746607	300x2-3.54TA	300	5	300	5	3.54

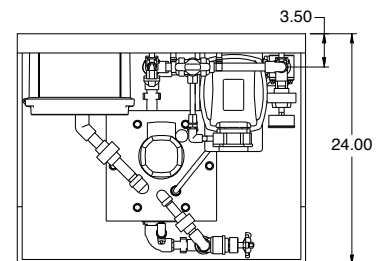
Dimensional Drawings



FRONT VIEW



SIDE VIEW



PLAN VIEW

ProMinent®

ProMinent Fluid Controls, Inc. (US)
 136 Industry Drive
 Pittsburgh, PA 15275-1014
 Tel: (412) 787-2484
 Fax: (412) 787-0704
 eMail: sales@prominent.us
 www.prominent.us

ProMinent Fluid Controls Ltd. (Canada)
 490 Southgate Drive
 Guelph, ON N1G 4P5
 Tel: 1-888-709-9933 | (519) 836-5692
 Fax: (519) 836-5226
 eMail: sales@prominent.ca
 www.prominent.ca