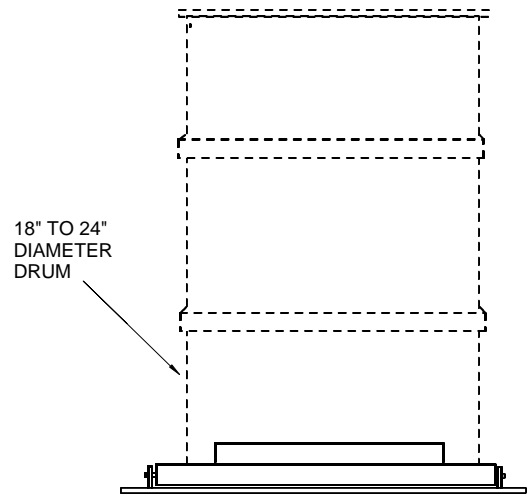
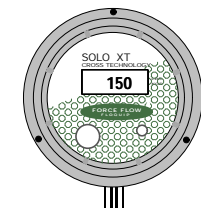
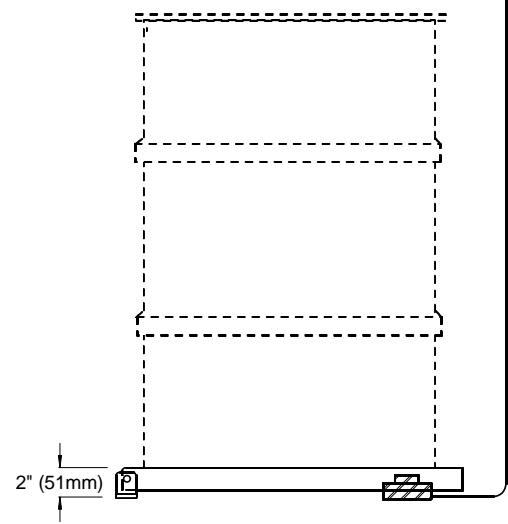


MODEL NUMBERS:			
<b>BATTERY OPERATED:</b>	MODEL (METRIC MODEL)		
	XT10DS (XT5KDS)	1000 lbs (500 kg)	Epoxy Powder Coated Steel
	XT10DSS (XT5KDSS)	1000 lbs (500 kg)	316 Stainless Steel
<b>LOOP POWERED:</b>	XT10DS-MA (XT5KDS-MA)	1000 lbs (500 kg)	Epoxy Powder Coated Steel
	XT10DSS-MA (XT5KDSS-MA)	1000 lbs (500 kg)	316 Stainless Steel



- \_\_\_\_\_ Model Number
  - \_\_\_\_\_ Inch Diameter Drum
  - \_\_\_\_\_ Feet of Tubing (6' standard)
- Powered by:
- \_\_\_\_\_ 9 Volt Battery
  - \_\_\_\_\_ 4-20mA Output Loop (Typically 24 VDC)



1150-D Burnett Ave, Concord, CA 94520 USA  
 1-800-893-6723 US & Canada, Fax: 925-686-6713  
 www.forceflow.com / info@forceflow.com

**HYDRAULIC DRUMM-SCALE with SOLO XT CROSS TECHNOLOGY INDICATOR**

Drawn by: SLP  
 Date: 07/31/90  
 Revised: 09/09/99  
 Scale: NONE

Drawing Number  
**30296**