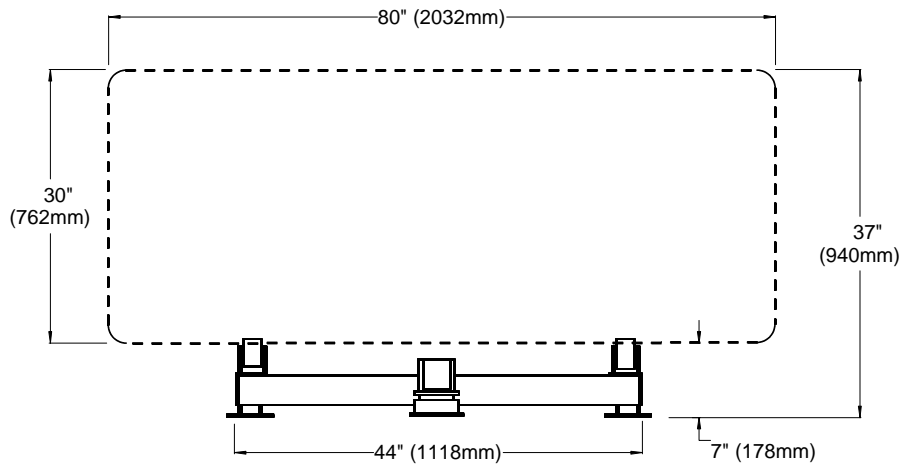


Maintain an even gap on load cell to avoid frequent refillings.

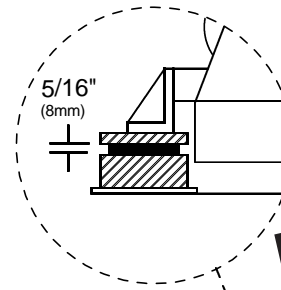


MODEL NUMBERS (for Complete Scale)

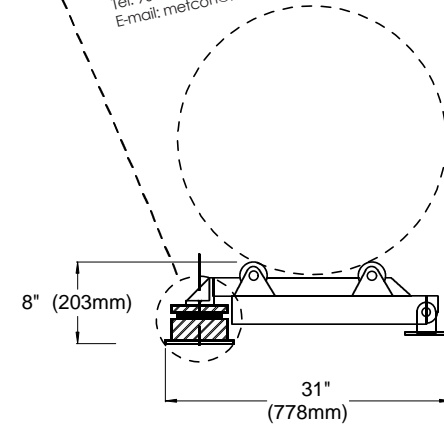
Model No:	Metric Models:
6D40A (4000 lb)	6D20K (2000 kg)
8D40A (4000 lb)	8D20K (2000 kg)
12D40A (4000 lb)	12D20K (2000 kg)
18D40A (4000 lb)	18D20K (2000 kg)

Complete with Century Dial Indicator

_____ MODEL NUMBER
 _____ INCH DIAMETER DIAL (LBS or KGS _____)
 _____ FEET OF HYDRAULIC TUBING



15 Connie Crescent, Unit 3
 Concord, Ontario L4K 1L3
 Tel: 905-738-2355 Fax: 905-738-5520
 E-mail: metcon@metconeng.com



C.1.101



1150-D Burnett Ave, Concord, CA 94520 USA
 1-800-893-6723 US & Canada, Fax: 925-686-6713
 www.forceflow.com / info@forceflow.com

File: T4\O&M\TONHYD\SGLO&MIN.tcw (P04.pdf) (WEB: TON1HYD.pdf)

**HYDRAULIC SINGLE TANK SCALE
 CHLOR-SCALE with CENTURY DIAL
 (4000 lbs or 2000 kg. Capacity)**

Drawn by: SLP
 Date: 01/15/89
 Revised: 03/01/95
 Scale: NONE

Drawing Number
29634